

devolo

Home Control Wall Switch



first steps

Thank you for placing your trust in this devolo product.

Carefully read all instructions before setting up the device and store the instructions for later reference.

Icons



Very important note. Failure to observe this note may result in damage.



Important note that should be observed.



Background information and configuration tips for your device.

Intended use

Use the Home Control Wall Switch as described in these instructions and in the Home Control online help to prevent damage and injuries.



Except for occasional battery replacement, the Home Control Wall Switch is completely maintenance-free. The device contains no user-serviceable parts!

CE conformity



When used as intended, the product conforms to the basic requirements of the directives 2014/53/EU, 2014/35/EU and the other relevant provisions of the Radio and Telecommunications Terminal Equipment Act (FTEG) and is designed for use in the EU, Switzerland and Norway. A printout of the CE declaration is included.

devolo Home Control

Home Control (also known as home automation) refers to the specific control of electrically operated indoor household devices. The Home Control system by devolo uses the Z-Wave™ wireless standard.

A Home Control system requires a Z-Wave™-compatible control unit such as the Home Control Central Unit from devolo. Use its Home Control portal to coordinate the Home Control Wall Switch and all other Home Control devices. You can access the Home Control Central Unit through the **my devolo app** and at **www.mydevolo.com** in a browser.

i *For more information about setting up the Home Control Central Unit, please refer to the installation guide and/or Home Control online help.*

Accessing the Home Control Central Unit via the my devolo app (for smartphone/tablet)

Open the **my devolo app** ⇨ **Home Control** and select your **Home Control Central Unit**.

Accessing the Home Control Central Unit via web browser (PC/laptop)

At **www.mydevolo.com** ⇨ **Home Control** select your **Home Control Central Unit**.

i *For more information on the control and configuration of all devolo Home Control devices, as well as application examples, please refer to the Home Control online help.*



The Home Control Wall Switch

The Home Control Wall Switch lets you control your Home Control devices at the press of a button. It has two different rocker switches.



i *For more detailed descriptions of the Home Control Wall Switch functions, refer to the Home Control online help.*

Batteries



Always keep batteries away from open flame and high temperatures. Avoid direct sunlight and radiant heat!



Always remove all batteries from battery-operated devices that are only in storage and are not in use. Old batteries can leak and damage the device!

Do not use rechargeable batteries!



The Home Control Wall Switch requires a commercially available CR2032 battery (button cell). For information on replacing the battery, please refer to the Home Control online help.

Registering the Home Control Wall Switch on the control unit (e.g. Home Control Central Unit)

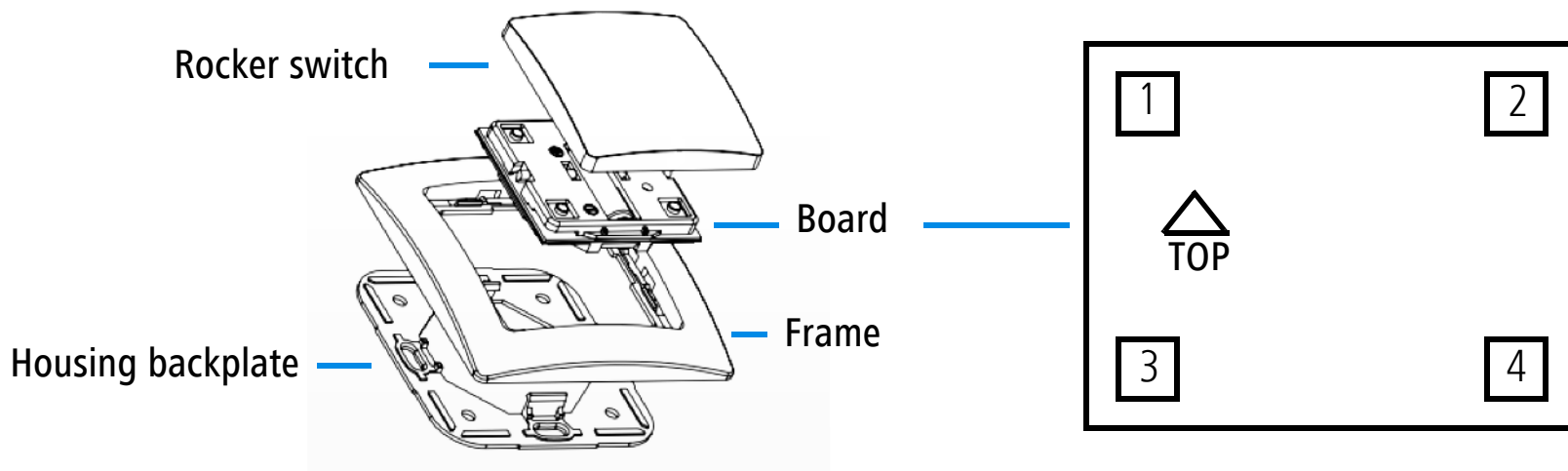
- ① Start with the electronic registration on the control unit. To do so, place the Home Control Wall Switch near the location you would like it to be **without installing it**.
- ② When you use the **Home Control Central Unit**, follow the description in the section **devolo Home Control** on page 3 to call up your **Home Control Central Unit** and select **Devices**  **Add device**  **devolo Home Control Wall Switch**. Follow the instructions there to log into your Home Control Central Unit.



Only use the Home Control Wall Switch indoors.

Installing the Home Control Wall Switch

As soon as the device control functions via the Home Control Wall Switch, install the Home Control Wall Switch where you would like it to be now.



- ③ If you fasten the Home Control Wall Switch using the double-sided tape for corners, put this tape on the **four corners** of the **housing backplate** and attach the Home Control Wall Switch to the place you want it to be.



When mounting the board, make sure that the "TOP with up arrow" marking for the mounting direction points up so that the switch order 1-2-3-4 is correct (see figure on the right).

- Attach the desired rocker switch(es) onto the board of the Home Control Wall Switch.



If installing to a wall using screws, make sure that no gas, water or power lines in the wall get damaged. There is a danger of electric shock!

- ④ If you are using screws to fasten the Home Control Wall Switch, first disassemble the Home Control Wall Switch into the illustrated individual parts (see figure on left on page 6) by prising the board out of the two holders.
- Then, based on the template on the housing backplate, drill holes into the desired location and attach the housing backplate using screws.



When mounting the housing backplate, make sure that the "TOP with up arrow" marking in the upper right corner for the mounting direction points up so that the switch order 1-2-3-4 is correct.

- First connect the frame to the housing backplate and then the board according to the board holder and the "TOP with up arrow" marking.
- Then attach the desired rocker switch(es) into the board of the Home Control Wall Switch. This completes the installation of the Home Control Wall Switch.

From now on, you can take electronic control conveniently using the Home Control portal of the Home Control Central Unit.



For more information on how to control and configure all devolo Home Control devices, as well as for application examples, please refer to the Home Control online help.

Service and warranty

Warranty: 3 years

If your devolo device is found to be defective during initial installation or within the warranty period, please contact the vendor who sold you the product. The vendor will take care of the repair or warranty claim for you. The complete warranty conditions can be found at www.devolo.com/warranty.

| | | |
|-----------------|---------------------|----------------------|
| Great Britain | +44 203 0241 838 * | support@devolo.co.uk |
| Portugal | +351 707 200 896 * | support@devolo.pt |
| Spain | +34 902 887 682 * | support@devolo.es |
| Sweden | +46 771 400 480 * | support@devolo.se |
| Other countries | +49 241 70 525 18 * | support@devolo.com |

* Detailed information about the actual costs of the telephone calls can be found on the devolo website.

Disposal

Neither the Home Control Wall Switch nor the batteries may be disposed of with the household waste. Instead, you can return these at no charge at your municipal collection point or at the retailer (e. g. supermarket, specialist shop).





devolo

devolo AG

Charlottenburger Allee 60

52068 Aachen – Germany

www.devolo.com